

SUNLIGHT'S FAMILY OF ENCLOSURE FOR DISTRIBUTION PANEL SYSTEMS



SUNLIGHT

www.sunlightgroup.com

Your Ultimate Solution for Low Voltage Distribution Systems

Contents

Flush Mount Distribution Panels 03

Insulated Surfaced Mount Distribution Panels 04

Weather-Proof Distribution Panels 05

Metal Surfaced Mount Distribution Panels 06 & 07

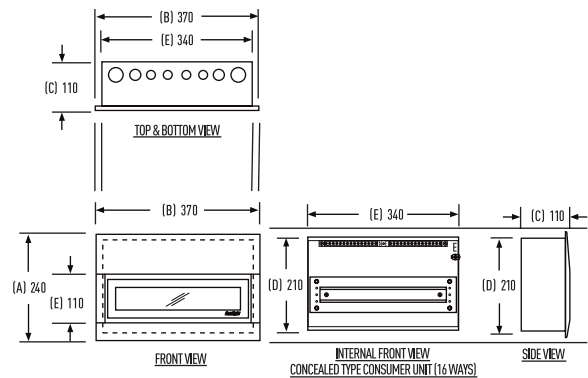


Flush Mount Distribution Panels

“Concealed” Type with PVC and Metal Facia



- Standard IEC 60439-3
- Suits Merlin Gerin, Siemens, ABB DIN MCBs and associated DIN equipment
- Flush Mount – Cavity or solid wall
- Bevelled PVC and metal facia
- Degree of Protection IP 40 with door
- Earth and Split Neutral bars filled as standard
- Transparent plastic and RAL 7032 Beige metal door
- More than 20mm wiring space behind DIN rail
- Knock-out top and bottom cable-entry plates



This Flush-Mount series is an economical range of IP40 Distribution Boards suitable for residential and commercial installations. The PVC facia is made from polycarbonate, grey in color and incorporates a top hinged transparent plastic door. The metal facia is made from 1.2mm electro-galvanised steel and epoxy-polyester powder coated. The DIN frame allows alignment of the front facia after the enclosure has been mounted.

Pole Way	No. of rows	Door	Neutral Bars	Earth Bars	Product Code
16	1	Transparent	16	16	FMDB16PVC

Dimensions (mm)

Product Code	A	B	C	D	E	F
FMDB16PVC	240	370	110	210	110	340

Insulated Surfaced Mount Distribution Panels

PC Series PC 16 CU

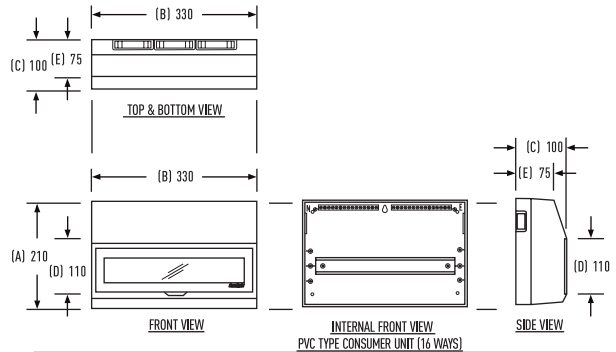
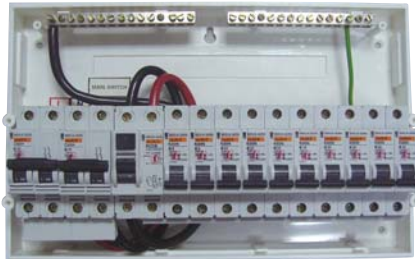


- Standard IEC 60439-3
- Suits Merlin Gerin, Siemens, ABB DIN MCBs and associated DIN equipment
- Allows easy access to apparatus
- Base made from Polycarbonate material
- Degree of Protection IP 40 with door
- Earth and Split Neutral bars filled as standard

PC 10 CU



- Transparent polycarbonate door
- Comprehensive cable entry facilities at top, bottom side and rear
- Modern consumer unit designed with an attractive styling for new buildings, replaced old units, or adding extensions
- Knock-out top and bottom cable-entry plates



This PC (Polycarbonate) series is an economical range of IP40 Distribution Boards suitable for residential and commercial installations. The grey PVC fascia is made from ABS while the white base is made from polycarbonate and incorporates a top hinged transparent plastic door.

Pole Way	No. of rows	Neutral Bars	Earth Bars	Product Code
10	1	10	10	PC16CU
16	1	16	16	PC10CU

Technical Data

Max. load 40 Amperes
 Max. operating Voltage 415V AC
 Degree of protection: IP40
 Material: Base – Polycarbonate; Cover – ABS
 Color: Base – White; Cover – Grey; Door - Transparent

Dimensions (mm)

Product Code	A	B	C	D	E
PC10 CU	210	330	100	110	75
PC16 CU	210	240	100	110	75

Weather-Proof Distribution Panels

EG Steel & Stainless Steel Series

- Standard IEC 60529
- Degree of Protection IP55 & IP65
- Commercial & industrial applications
- Left or right hand door hinging
- Lockable Door
- Removable gland plates top and bottom
- Tested with mounting brackets and keylocks
- Tested with Selector Switches, indicating lights, etc
- 2-door Enclosures are also tested

Dimensions (mm)

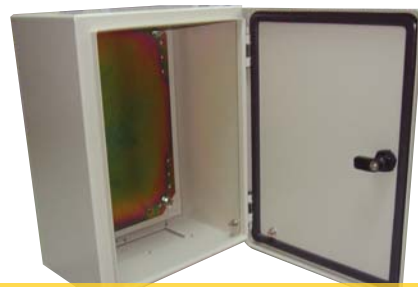
Stainless Steel Code	Electro - Galv Code (1.5mm thk)	Electro - Galv Code (2.0mm thk)	Dimension (L x H x D) (mm)	No. of Locks
SS252015	EG252015	EG252015	250 x 200 x 150	1
SS302515	EG302515	EG302515	300 x 250 x 150	1
SS303015	EG303015	EG303015	300 x 300 x 150	1
SS402518	EG402518	EG402518	400 x 250 x 180	1
SS403020	EG403020	EG403020	400 x 300 x 200	1
SS404020	EG404020	EG404020	400 x 400 x 200	1
SS502518	EG502518	EG502518	500 x 250 x 180	1
SS503018	EG503018	EG503018	500 x 300 x 180	1
SS504020	EG504020	EG504020	500 x 400 x 200	1
SS505020	EG505020	EG505020	500 x 500 x 200	1
SS508025	EG508025	EG508025	500 x 800 x 250	1
SS602518	EG602518	EG602518	600 x 250 x 180	2
SS604020	EG604020	EG604020	600 x 400 x 200	1
SS605020	EG605020	EG605020	600 x 500 x 200	2
SS606025	EG606025	EG606025	600 x 600 x 250	2
SS705025	EG705025	EG705025	700 x 500 x 250	2
SS806025	EG806025	EG806025	800 x 600 x 250	2
SS808030	EG808030	EG808030	800 x 800 x 300	2
SS1008030	EG1008030	EG1008030	1000 x 800 x 300	2
SS1208030	EG1208030	EG1208030	1200 x 800 x 300	2



Technical Data

Stainless Steel

- Stainless Steel: SS 304, SS 316L, hairline finished
- IP65
- Material thickness 1.5mm
- Complete with zinc mild steel or stainless steel plated base plate
- Enclosure body folded and fully welded
- Concealed hinges provide 120 door opening
- Folded gutter at door frame to increase rigidity and draining
- Earthing facilities on door and enclosure body
- Wall Mounting welded brackets are provided



Technical Data

Electro-galvanised steel

- Electro-galvanised steel
- IP55
- Material thickness 1.5mm and 2.0mm
- Tested with both single and double overlapping doors
- Tested with transparent cover, indicating lights, switches, etc
- Complete with zinc mild steel plated base plate

Metal Surfaced Mount Distribution Panels

HLC Series



Application

This HLC (Horizontal Load Centre) series is designed for commercial light industrial sectors where flexibilities with the use of cable looping can be maximised.



- Standard IEC 60439-1 & IEC 60439-1
- Commercial & industrial applications
- Suits Merin Gerin, Siemens, ABB DIN MCBs and associated DIN equipment
- Door fitted independent of escutcheon
- Left or right hand door hinging
- Degree of Protection IP 40 with door
- Earth and Split Neutral bars fitted as standard
- Lockable Door
- Removable gland plates top and bottom
- More than 20mm wiring space behind DIN rail
- More than 150mm spacing between DIN rails

Features

- One or Two-tone colour scheme, make a color change by simply changing the door colour
- The door is field changeable from right to left hanged and is totally independent of the escutcheon.
- The escutcheon has been dished to allow a wide range of accessories to fit under the door
- Knockouts provided in the escutcheon for up to 18 modules of extra standard DIN rail equipment
- Compact Main Switch up to 250A rating.
- Earth and neutral bars, circuit identification and schedule cards supplied

Technical Data

Material Type	: 1.2mm electro-galvanised Steel
Finish	: Epoxy-polyester powder coated
Colour	: Base – RAL 7032 Beige Door – RAL 7032 or Charcoal gloss or upon request Escutcheon – RAL 7032
Protection Degree	: Up to IP43 with door
Busbar / Cable Ratings	: Up to 250A
Main Switch	: Up to 250A 3 pole 415V AC top or bottom mount
Neutral and Earth bars	: 10mm x 10mm terminals

Dimensions (mm)

Pole Way	No. of rows	Dimension (L x H x D) (mm)	Product Code
18	1	450x375x140	HLC4537514
36	2	450x475x140	HLC4547514
54	3	450x650x140	HLC4565014
72	4	450x850x140	HLC4585014
90	5	450x950x140	HLC4595014

Constructional Features – An Expanded View



Earth Stud For Right Hinge Application



Provision for right hinge application



Earth Stud for Earth Cable



Right Lock's Catch



Provision for Left Lock Application



